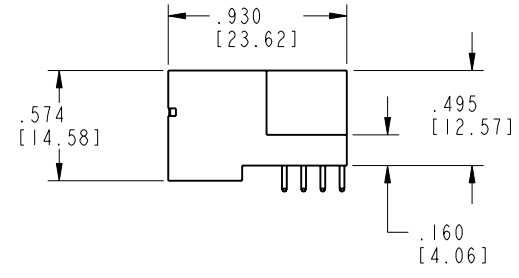
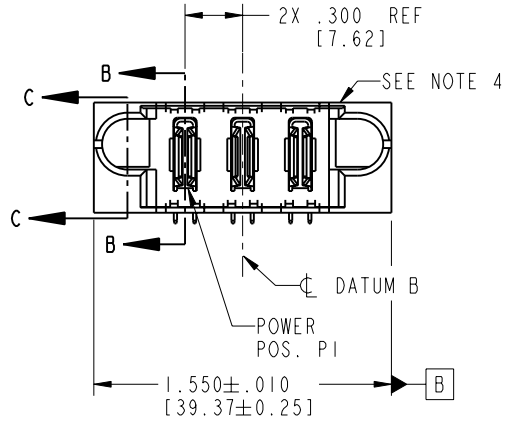
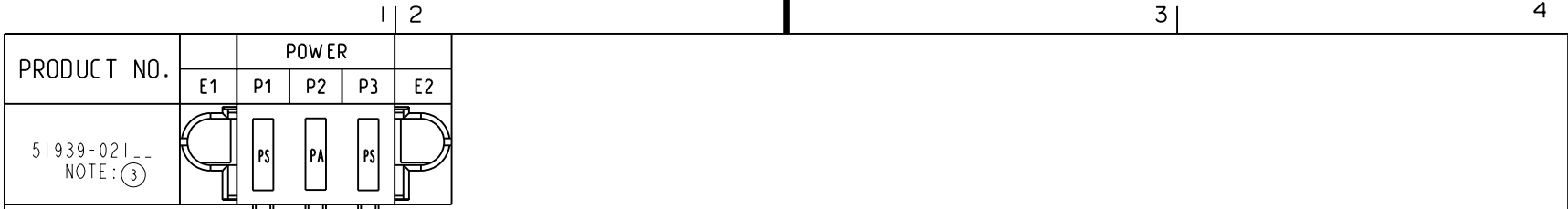


Tous droits strictement réservés. Reproduction ou communication o des liens interdite sous quelque forme que ce soit sans autorisation écrite du propriétaire. Propriete de c FCI. Droits de reproduction FCI.

FCI

All rights strictly reserved. Reproduction or issue to third parties in any form whenever is not permitted without written authority from the proprietor. Property of FCI. Copyright FCI.



CODE	DIM "M" MATING LENGTH	CONTACT TYPE	TYPE
PA	N/A [N/A]	POWER	LONG WIPE
PS	N/A [N/A]	POWER	SHORT WIPE

mat'l code SEE NOTE 2				tolerances unless otherwise specified		CUSTOMER		 www.fciconnect.com		
ltr	ecn no.	dr	date	linear	.XX ± .01/0.X ± 0.3	COPY				
A	V21312	CGD	08/09/02		.XXX ± .005/0.XX ± 0.13	projection				
B	DG05-0232	SJ	07/20/05	angles	.XXX ± .0020/0.XX ± 0.051					
C	DG06-0008	JMG	01/07/06		0° ± 2°	INCH/MM				
				dr	C. DAILY 08/09/02	scale				
				engr	J. ALLISON 08/09/02	1:1				
				chr	J. ALLISON 08/09/02					
				appd	J. ALLISON 08/09/02					
sheet index		revision sheet		C	C	C	C	product family	PwrBlade	code
		1	2	3	4			size	dwg no	213
								A	51939-021	sheet 1 of 4

cage code 22526 4

Pro/E

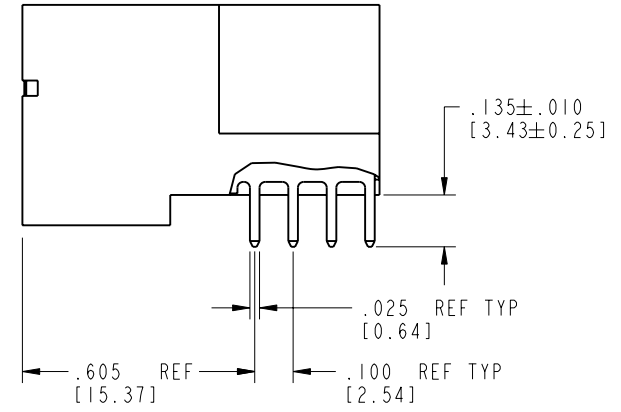
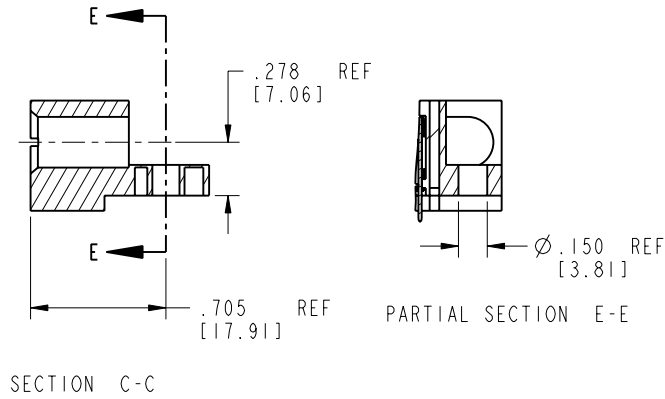
Tous droits strictement réservés. Reproduction ou communication o des liens interdite sous quelque forme que ce soit sans autorisation écrite du propriétaire. Propriete de c FCI. Droits de reproduction FCI.

FCI

All rights strictly reserved. Reproduction or issue to third parties in any form, whatever is not permitted without written authority from the proprietor. Property of FCI. Copyright FCI.

PRODUCT NUMBER

51939-021--
NOTE: ③



BROKEN-OUT SECTION B-B
SCALE 2:1

mat'l code				SEE NOTE 2		tolerances unless otherwise specified		CUSTOMER		FCI www.fciconnect.com	
lfr	ecn no.	dr	date	linear	.XX±.01/0.X±0.3		COPY		projection	title	
C					.XXX±.005/0.XX±0.13		INCH/MM			3ACP	
				angles	.XXX±.0020/0.XXX±0.051		INCH/MM		RIGHT ANGLE SOLDER HEADER		
					0°±2°		scale		product family		
				dr	C. DAILY	08/09/02	1:1		PwrBlade		
				engr	J. ALLISON	08/09/02			code		
				chr	J. ALLISON	08/09/02			213		
				appd	J. ALLISON	08/09/02			sheet		
sheet index		revision sheet						A		51939-021	
										2 of 4	

cage code 22526

Pro/E

PDM: Rev:C

STATUS: Released

Printed: Aug 14, 2007

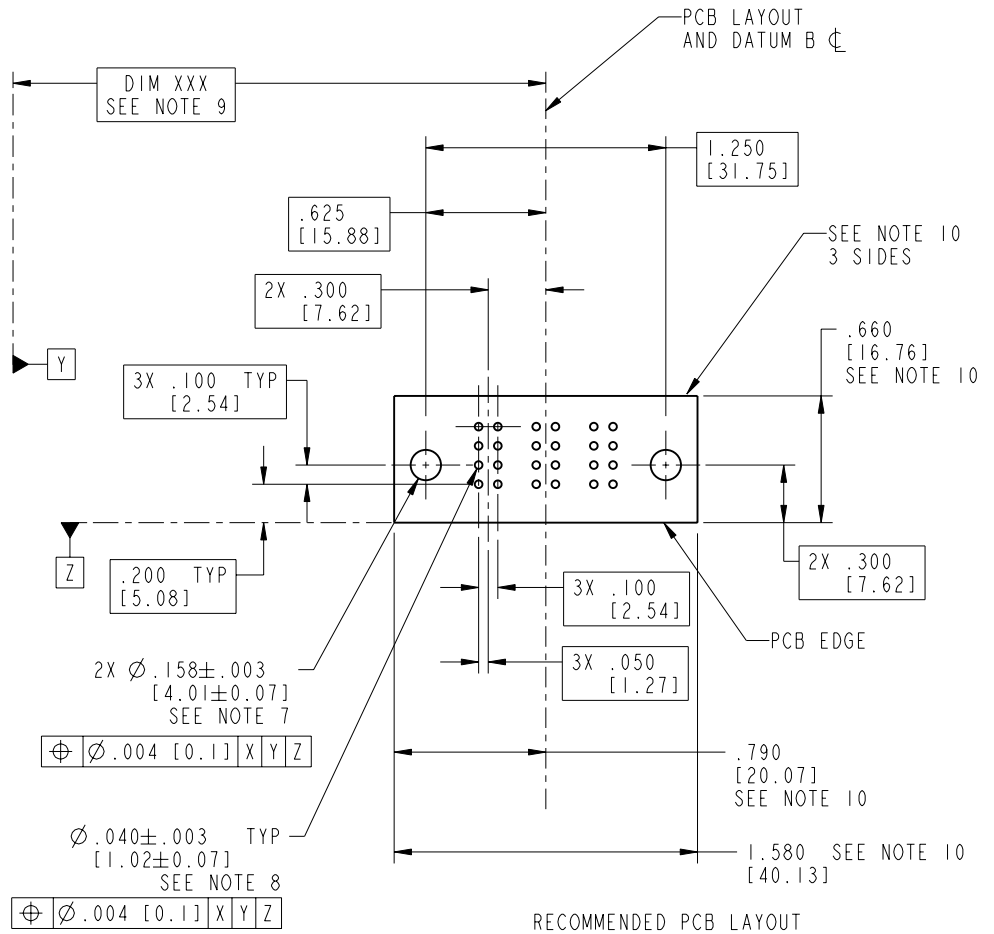
Tous droits strictement réservés. Reproduction ou communication o des liens interdite sous quelque forme que ce soit sans autorisation écrite du propriétaire. Propriété de c FCI. Droits de reproduction FCI.

FCI

All rights strictly reserved. Reproduction or issue to third parties in any form, whenever is not permitted without written authority from the proprietor. Property of FCI. Copyright FCI.

PRODUCT NUMBER

51939-021__
NOTE: ③



RECOMMENDED PCB LAYOUT

mat'l code				SEE NOTE 2		tolerances unless otherwise specified		CUSTOMER		 www.fciconnect.com	
lfr	ecm no.	dr	date	linear	.XX±.01/0.X±0.3	projection	COPY		title		
C				angles	.XXX±.005/0.XX±0.13		INCH/MM		3ACP		
				dr	.XXX±.0020/0.XXX±0.051	scale	1:1		RIGHT ANGLE SOLDER HEADER		
				engr	0° ± 2°		product family		PwrBlade		code
				chr	C. DAILY 08/09/02		size		dwg no		213
				appd	J. ALLISON 08/09/02		A		51939-021		sheet
sheet index	revision sheet										3 of 4

cage code 22526

Pro/E

PDM: Rev:C

STATUS: Released

Printed: Aug 14, 2007

Tous droits strictement réservés. Reproduction ou communication o des liers interdite sous quelque forme que ce soit sans autorisation écrite du propriétaire. Propriete de c FCI. Droits de reproduction FCI.



All rights strictly reserved. Reproduction or issue to third parties in any form, whatever is not permitted without written authority from the proprietor. Property of FCI. Copyright FCI.

PRODUCT NUMBER

51939-021--
NOTE: ③

NOTES:

1. DIMENSIONS AND TOLERANCES ARE IN ACCORDANCE WITH ASME Y14.5M, 1994 UNLESS OTHERWISE SPECIFIED.

CONNECTOR NOTES:

- 2. HOUSING MATERIAL: UL 94 V-0 GLASS FILLED HIGH-TEMP THERMOPLASTIC
POWER CONTACT MATERIAL: COPPER ALLOY
SIGNAL PIN MATERIAL: COPPER ALLOY
- 3. 51939-021;51939-021LF;51939-021GLF PLATING SPEC. SEE PRINT:10064183
- 4. MANUFACTURER'S NAME, P/N, AND DATE CODE TO APPEAR ON THIS SURFACE.
- 5. PRODUCT SPECIFICATION GS-12-149.
APPLICATION SPECIFICATION BUS-20-067.

PCB NOTES:

- 6. ALL HOLE DIAMETERS ARE FINISHED HOLE SIZE.
- 7. MOUNTING HOLES, WHERE APPLICABLE, ARE UNPLATED.
- 8. $\varnothing .0453 \pm .0010$ [1.151 \pm 0.025] DRILLED HOLES PLATED WITH .0003 [0.008] MIN SnPb OVER .001 [0.03] TO .003 [0.08] Cu PLATING TO ACHIEVE $\varnothing .040 \pm .003$ [1.02 \pm .07] HOLE.
- 9. "DIM XXX" TO BE DETERMINED BY THE CUSTOMER.
- 10. CONNECTOR KEEP-OUT ZONE.

mat'l code		SEE NOTE 2		tolerances unless otherwise specified		CUSTOMER		www.fciconnect.com	
lfr	ecn no.	dr	date	linear	.XX±.01/0.X±0.3	COPY			
C				projection	.XXX±.005/0.XX±0.13			title	3ACP
				angles	.XXX±.0020/0.XXX±0.051			RIGHT ANGLE SOLDER HEADER	
				dr	C. DAILY 08/09/02	INCH/MM		product family	PwrBlade
				engr	J. ALLISON 08/09/02			code	213
				chr	J. ALLISON 08/09/02	scale		size	dwg no
				appd	J. ALLISON 08/09/02	1:1		A	51939-021
sheet index	revision sheet							sheet	4 of 4

cage code 22526

Pro/E

PDM: Rev:C

STATUS: Released

Printed: Aug 14, 2007